

**COMFORT SERIES™**  
**SSDOD5230 ACCESSIBLE BATHTUB**



ADA Compliant

*American Standard*  
 Walk-In Tubs

The American Standard ComfortSeries™ 52"x30" outward-opening, wheelchair accessible bathtub was developed with accessible design, style & therapeutic technology in mind. It fits in the same space as a regular bathtub, and the full-sized, contoured door opens over nearby obstacles (such as a toilet), and allows ease of entry and exit, with a low door threshold, and a right-height seat for easy transfer from a wheelchair, walker, or standing position. The removeable bottom panel allows access for using an assistive device patient lifter, for barrier-free entry.

Once used only in hospitals and health spas, bath therapies like the ComfortSeries™ 52"x30" bathtub includes 44 HydroTherapy jets to assist in the treatment of illness and injury, symptoms of arthritis, back pain, circulatory disorders and other common ailments; and in eliminating toxins that cause joint pain and inflammation. Chromatherapy and Aromatherapy use the effect of colour and scent healing to trigger positive health, emotional, and mental well-being and to boost relaxation and reduce tension. The included inline heater maintains bath water temperature to keep it consistent.

Our patented QuickDrain®, designed by world class engineers, is a powered pump that evacuates water in less than 2 min, allowing for a quick and safe exit. Users now have access to a way of bathing and showering safely, in a hygienic bacteria-free, and independent manner while treating medical ailments and ensuring overall wellness. The ComfortSeries™ offers the best safety and comfort features for home health care, with the most advanced therapeutic systems. It's backed by a 100% LIFETIME WARRANTY on the door, seal, all bathtub components, and on installation by preferred installers.

**Whirlpool Massage**



JETS

A soothing and invigorating water jet massage system that features an in-line heater, auto Ozone tub cleaning system, and Legs-Only massage. Customize back and leg muscle therapies with 15 different water jets focussed on back, shoulders, legs, and arms.

**AirSpa Massage**



AIR

Experience a soft and caressing all-over body massage powered by a variable speed heated blower that releases thousands of air bubbles rising throughout the water from 28 different air jets focussed on hips, back, legs, and feet. The automatic purge cycle helps keep the system running efficient and clean.

**ChromaTherapy & AromaTherapy**



LIGHTS

Light and aroma therapies to encourage wellness through visual and mental stimulation.

**QuickDrain® System**

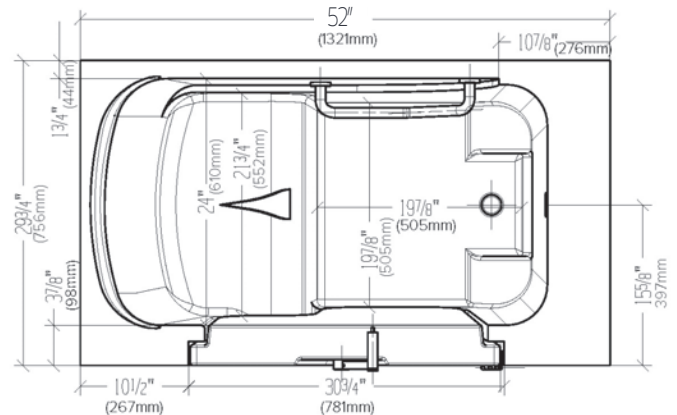
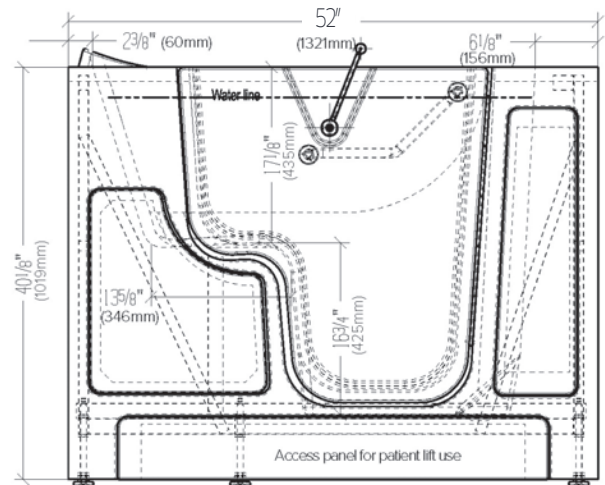


DRAIN

An American Standard patented innovation that once activated, rapidly pumps the water out from within the tub in less than 2 min, making it safe to open the door and exit the bathtub.



# COMFORTSERIES™ SSDOD5230 52"x30" OUTWARD-OPENING DOOR ACCESSIBLE BATHTUB



## SSDOD5230

### RevitaJet™ Whole Body Hydrotherapy System

- 44 RevitaJet™ Massage Therapy Jets
- Available in White only
- Left-hand or Right-hand door/drain configuration
- Outward-opening accessible door with watertight door system
- Extra-Secure 2-pin door locking mechanism
- Built-in 17" chair-height seat with full transfer
- Polished Chrome colour contrasting fittings for optimum visuals:
  - integral safety grab bar
  - trim and cable-driven waste & overflow
  - whirlpool and air jet trim
  - door lever lock
- 24" polished chrome safety grab bar & showerbar
- Patented QuickDrain® fast water removal system
- Removeable lower panel to receive & accommodate the legs of a patient lift system
- Premium American Standard fast-fill tub faucet and hand-held showering wand
- Cushioned neck rest
- ChromaTherapy System for visual well-being
- Tub Extender Kit to fill 60" space
- Lifetime Warranty

### Water Jet System Features

- 15 variable flow massage jets
- Whirlpool In-Line Heater
- Legs-Only Massage System
- Self-cleaning Ozone Sanitation System

### AirSpa System Features

- 29 seat and floor air injectors
- Variable speed heated blower
- AromaTherapy System for mental well-being
- Automatic Purge Cycle to eliminate residual water



Lifetime Warranty includes bathtub, all components, door seal, faucet and installation/labour by American Standard/TWTC



Products with the Arthritis Foundation's Ease of Use™ Commendation are tested and proven to make daily tasks easier. Learn more at [arthritis.org/easeofuse](http://arthritis.org/easeofuse)

GENERAL SPECIFICATIONS FOR SSDOD5230 ACCESSIBLE BATHTUB	
INSTALLED SIZE	52"x30"x40" (1321x762x1019mm)
WEIGHT	155 lbs (70 kg)
WEIGHT w/WATER	781 lbs (354 kg)
OPERATING GALLON	75 gal (284 L)
FLOOR LOADING	73 lbs/sq.ft (356 kg/sq.m)
PROJECTED AREA	36.1 cu.ft (1.0 cu.m)

### To Be Specified - Required:

- Drain Configuration: Left(CLD) or Right(CRD)
- Colour: White (W) only



#### Notes:

The whirlpool heater is designed to maintain water temperature during operation. It will not heat cold water to desired temperature. Tub is supported by the frame, and five integrated adjustable feet. No additional support is required. Refer to installation instructions supplied with tub, for additional information. Provide suitable reinforcement to sub floor for all supports.

Our products are in compliance with the following codes: Uniform Plumbing Code UPC®, National Plumbing Code of Canada, International Plumbing code IPC®.

Our products conform to the following standards: ASME A112.19.7, ASME A112.19.15; CSA B45, CSA B45.5, CSA C22.2 No218.2; UL-1795; ANSI Z124.1.2.

Our products are listed with: cETL us.

**IMPORTANT:** Dimensions of fixtures are nominal, may vary, and are subject to change or cancellation. No responsibility is assumed for use of superseded or voided leaflet.